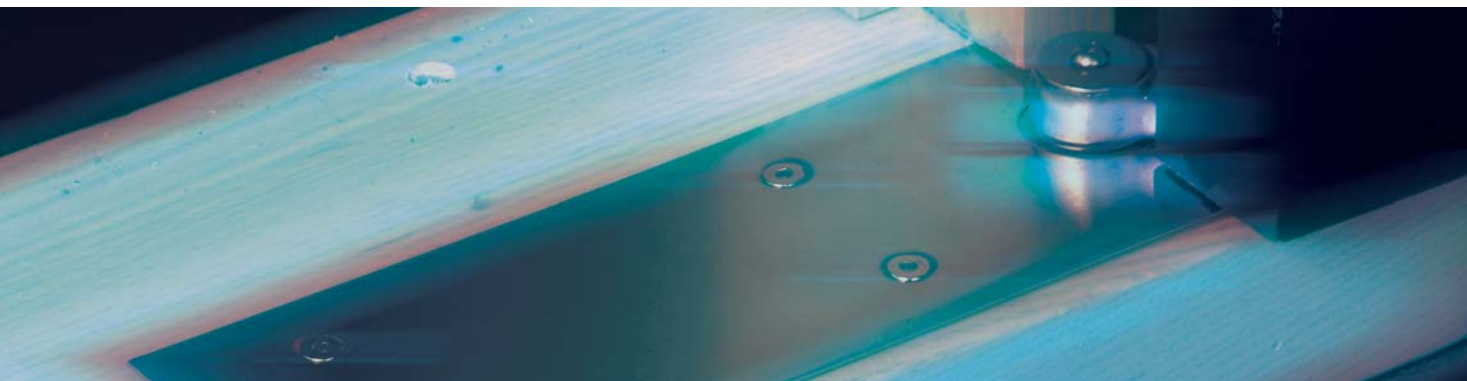


2000/3000 SERIES FLOOR SPRINGS



Innovative, reliable and with the highest load carrying in its class.

Jebron, the ultimate product for doors in constant use.

These two ranges comprise reliability and versatility into small, compact floor springs which surpass the performance of available alternatives.

The 3000 series features all the benefits of the 2000 but with electro-magnetic hold open capabilities



2000 Series Closer

2000/3000 SERIES FLOOR SPRINGS

Range

The 2000 and 3000 ranges includes models with:

- Closing speed control
- Power size adjustable
- Hold open arm
- Delayed action
- Electro-hydraulic hold open (Closing speed control only)
- Suitable for door mass of up to 400kg as standard (exceeding EN 114 requirements) and up to 600kg by special order
- Our floor pivot is also available for doors up to 400kg
- Water resistant gel pack is available for wet area applications, strongly recommended for the electro-magnetic model



Floor Spring Accessories

model number	size	action
2950	1 - 4	double or single
3550	5	double or single
3650	6	double or single
3470 electromagnetic hold-open	4	double or single
2000/4F floor pivot for doors up to 400kg	-	double or single

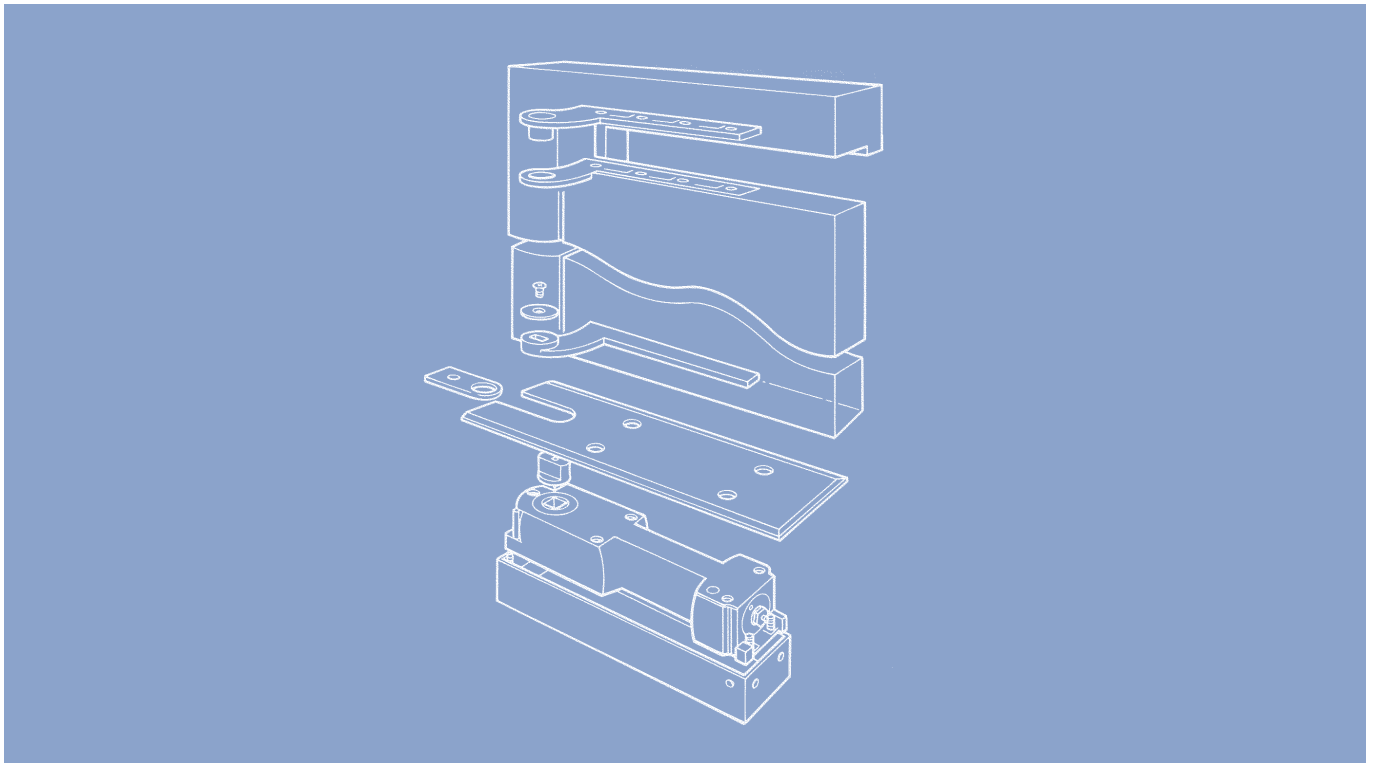
Construction

- Cast iron body for heavy duty performance
- Stainless steel and steel precision manufactured internal components

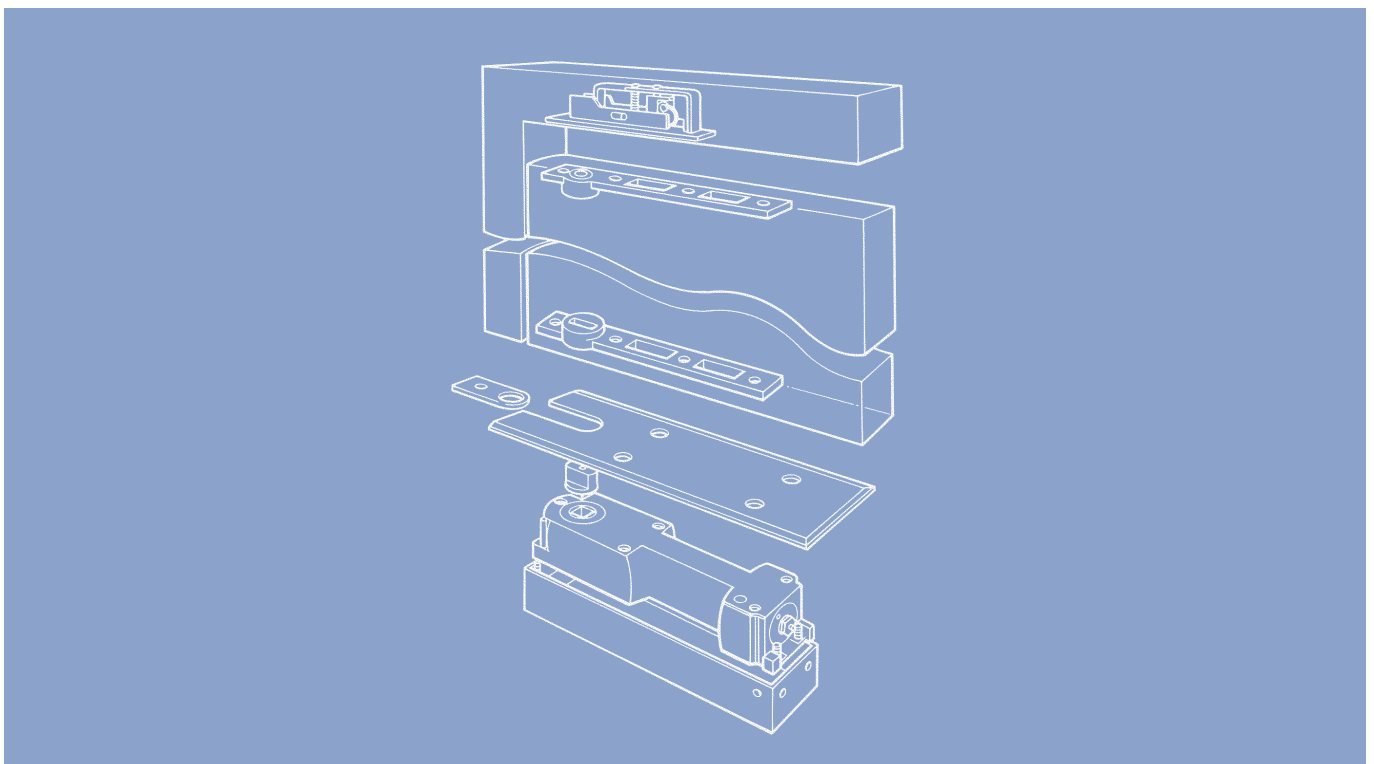
Standards

- All Jebron 2000 and 3000 series floor springs successfully conform to [BS EN 1154](#).
- All Jebron 3000 series electro-magnetic floor springs successfully conform to [BS EN 1155](#).

Dimensions: Single Action



Dimensions: Double Action



Cement Box

Size 1 - 4 307mm (L) x 78mm (W) x 50mm (D)

Size 5 & 6 307mm (L) x 78mm (W) x 50mm (D)

Size 4 E mag (3470) 307mm (L) x 78mm (W) x 50mm (D)

Cover Plate

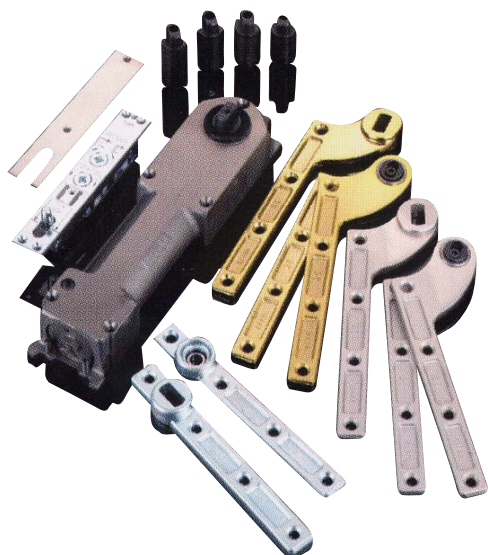
Size 1 - 4 323mm (L) x 105mm (W) x 16g

Special Features

- Cam and roller mechanism
- Unique guidance system ensures doors always return to centre position in double action
- High efficiency
- Easy operation and good holding forces

Finishes

- Polished Brass
- Satin Stainless Steel
- Polished Stainless Steel



Floor Spring Accessories



Jebron Limited, Bright Street, Wednesbury, West Midlands, WS10 9HY

Tel: +44 (0) 121 526 2212 **Fax:** +44 (0) 121 568 2131 **Email:** sales@jebron.co.uk **Website:** www.jebron.co.uk